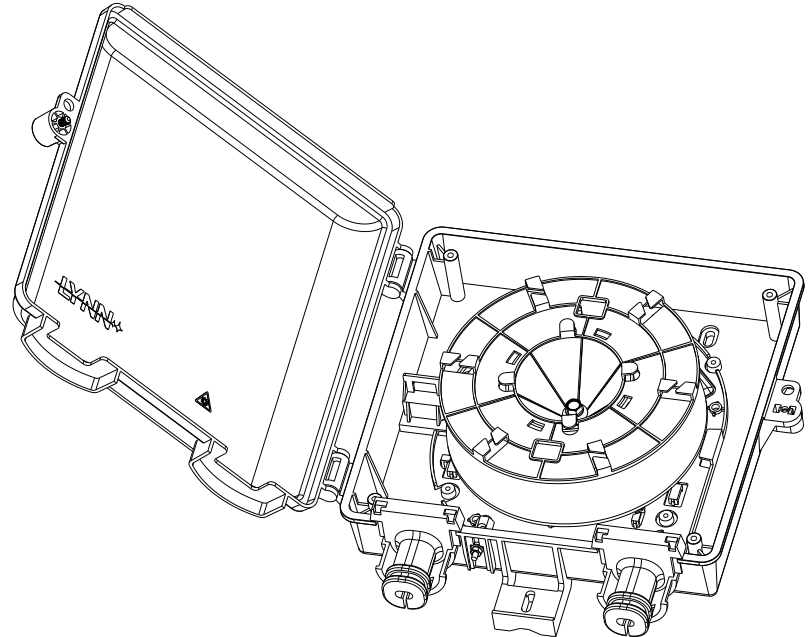
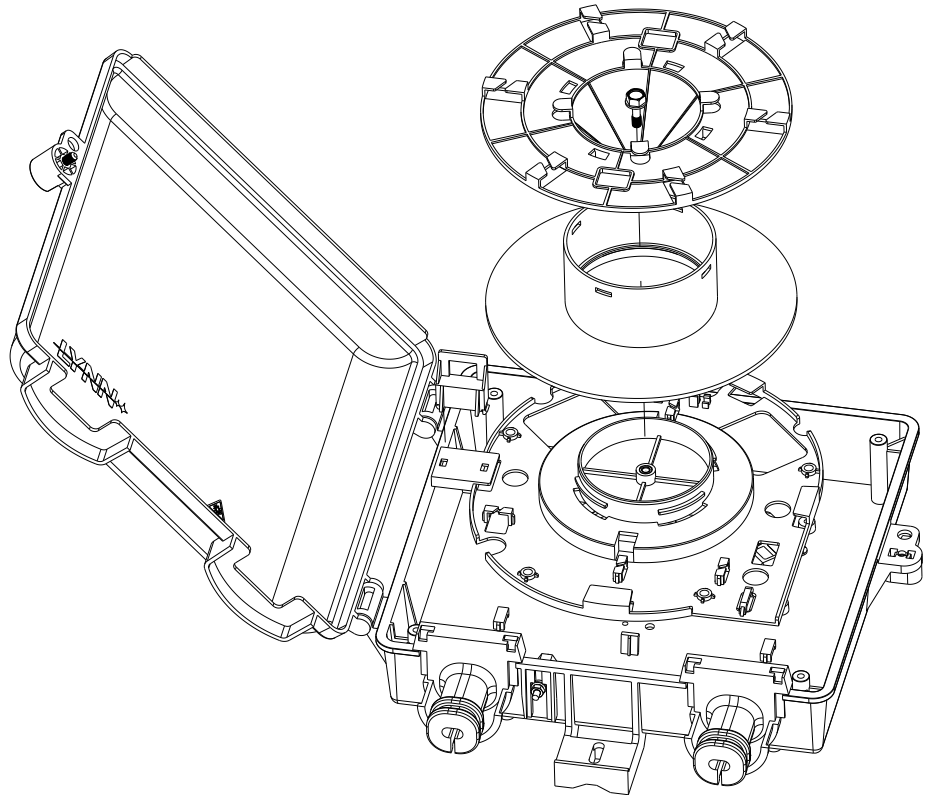
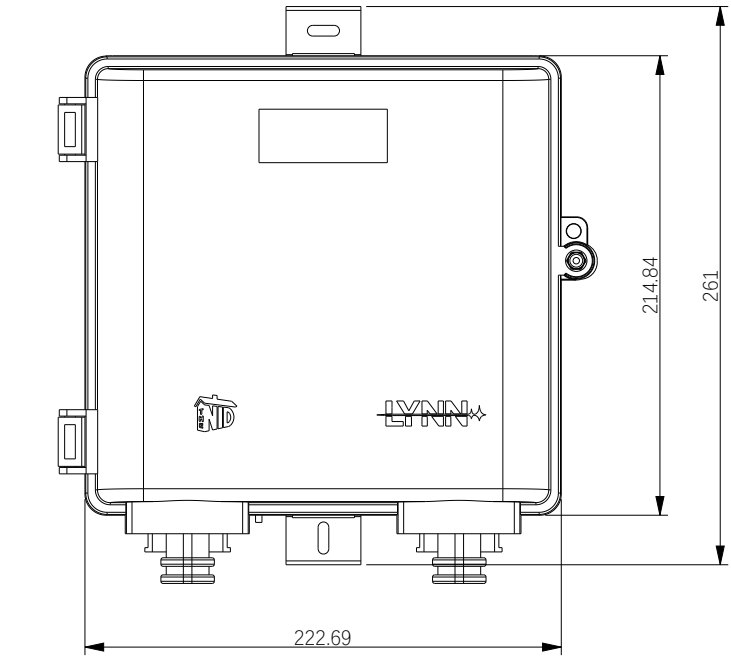
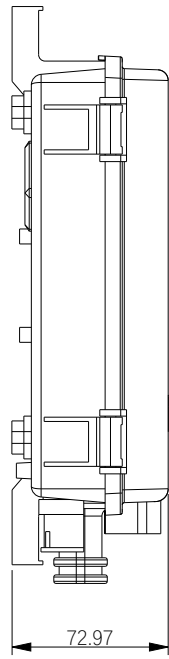



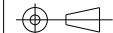
REV	ECN NO.	CHANGE CONTENT	SIGNATURE	DATE
A1		First Issued		



NOTE:
1. Material: PC+ABS;



Axis rotation direction

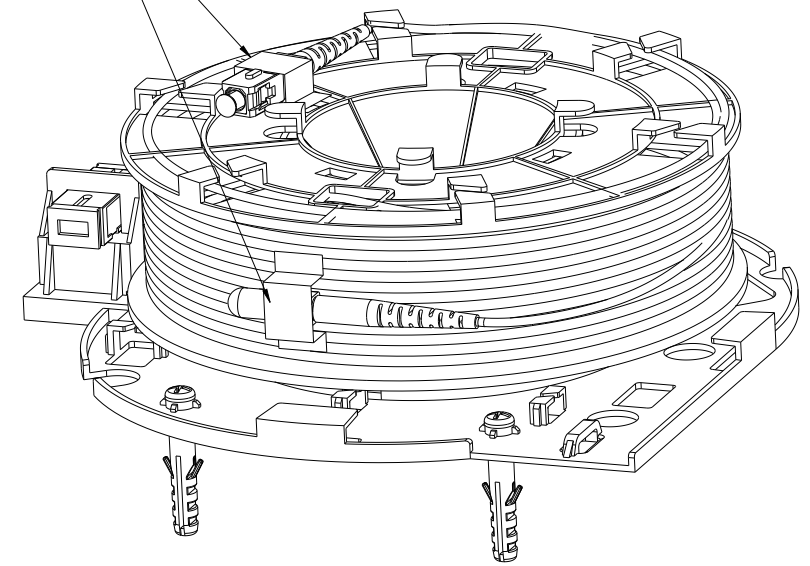
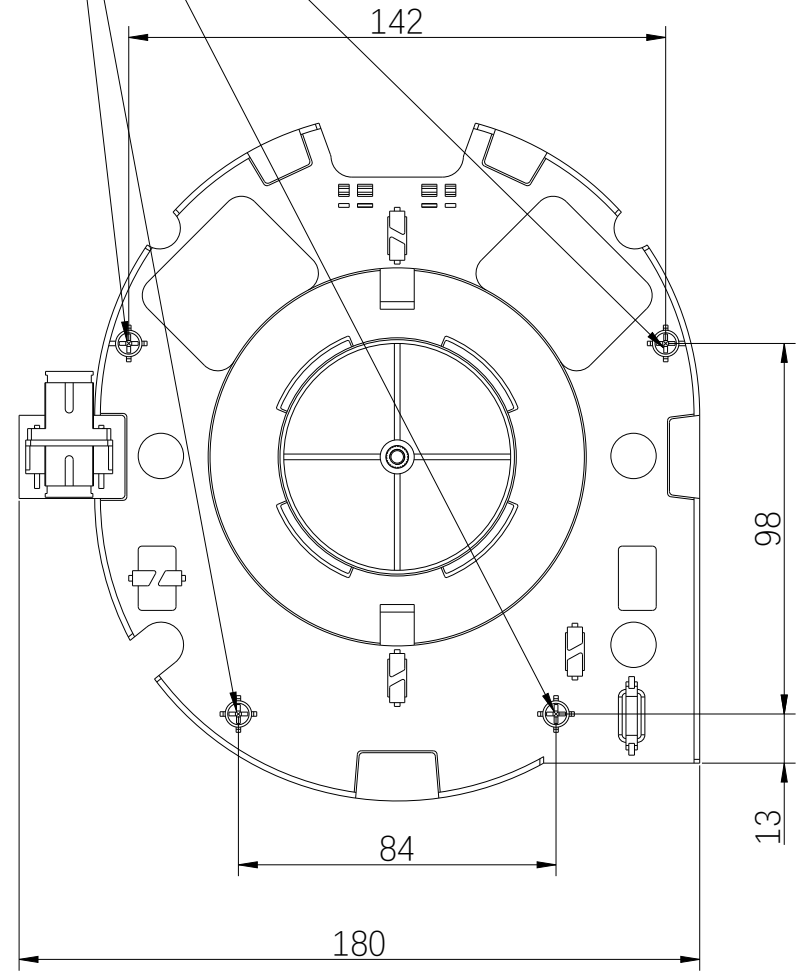
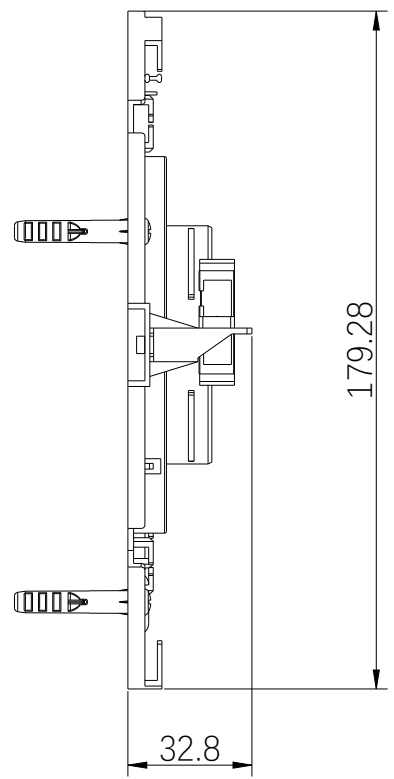
		SIGNATURE	DATE			
DRAWN	J. Farrell	2023/06/16	MAT'L	PC+ABS	PRODUCT NO.	FPP-TN-C3-SAB-KRI3-xxxF
CHK'D	T. Hodson	2023/06/16	UNITS	mm	PRODUCT NAME	Empty reel and plate installed into TheNID
PROCESS	J. Kuhns	2023/06/16	SCALE		DRAWING NO.	FPP-TN-C3-SAB-KRI3-xxxF
APPV'D	C. Hoskins	2023/06/16	TYPE OF PROJECTION		SHEET 1 OF 1	REV A1

REV	ECN NO.	CHANGE CONTENT	SIGNATURE	DATE
A1		First Issued		



Expansion plug and screw:
 4pcs M4x25 Screw
 GB845 SUS304 Cross recessed
 pan head tapping screws

3M Vinyl Tape

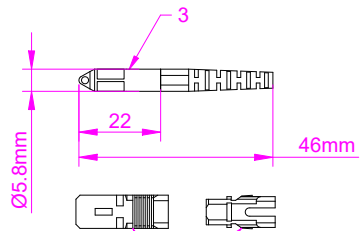
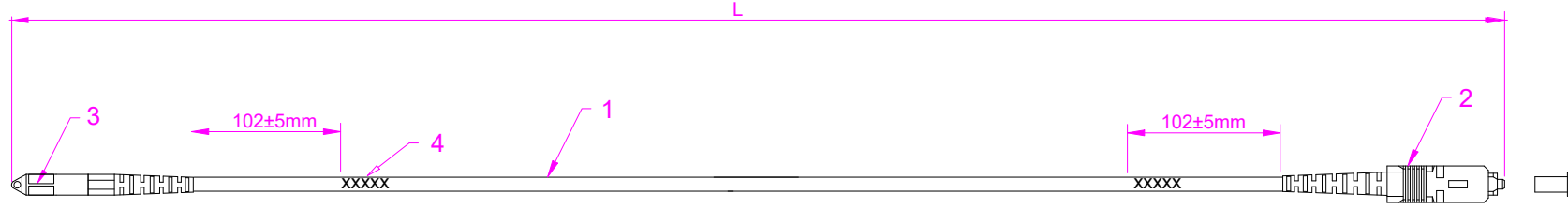


Note: 150FT 3.0mm Cable Maximum

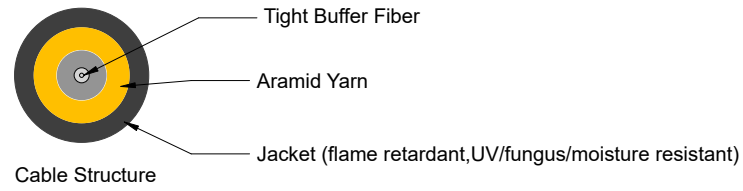
NOTE:
 1.Material:PC+ABS.

	SIGNATURE	DATE	LYNN			
DRAWN	T. Hodson	2023/11/13	MAT'L		PRODUCT NO.	FPP-H-SAB-SAB-KR13-xxxF
CHK'D	J. Farrell	2023/11/13	UNITS	mm	PRODUCT NAME	"The NID" REEL ONLY loaded with xxxFT of Choice fiber with bullet end.
PROCESS		2023/11/13	SCALE		DRAWING NO.	FPP-H-SAB-SAB-KR13-xxxF
APPV'D	C. Hoskins	2023/11/13	TYPE OF PROJECTION			SHEET 1 OF 1
					REV	A1

REV	MODIFICATION	UPDATE DATE	SIGNATURE



SC Green Housing & White Inner cover



NOTES:
 Insertion loss ≤ 0.2 dB
 Return loss ≥ 65 dB

Cable Length	Tolerance
Cable Length < 1M	5cm
1M ≤ Cable Length < 15M	10cm
15M ≤ Cable Length < 30M	15cm
Cable Length ≥ 30M	Cable Length * 1%

4	2	Cable Label (25x30mm)
3	1	SC/APC SM 3.0mm Pushable Simplex Connector(Metal Pushable Cap, Green Housing Black Boot)
2	2	SC/APC SM Simplex 3.0mm Connector(Green Housing Green Boot)
1	A/R	OD:3.0mm,Singlemode G657A2,Corning Fiber,Simplex,OFNR Riser,Color:Black

Requirements Of Cable					
Cable Type				Fiber Type	Corning G657A2
Cable Diameter	3.0mm	Attenuation	@1310nm ≤ 0.4dB/km		
Cable Material	OFNR		@1550nm ≤ 0.3dB/km		
Tensile Strength	Long Term	80 N	Crush Resistance	Long Term	100 N/100mm
	Short Term	150 N		Short Term	500 N/100mm
Bending Radius	Static	10 D	Temperature Range	Storage Temperature	-20°C ~ +60°C
	Dynamic	20D		Operating Temperature	-20°C ~ +60°C

ITEM	QTY	P/N	SPECIFICATIONS									
			DRAW	T. Hodson	DATE	17-08-2023	TITLE:Fiber Optic patch Cord SC/APC Pushable -SC/APC Simplex Singlemode					
			CHECK		APPROVED		CUSTOMER NO		DWG NO	S-SABSA1-KRI3-xxxM	REV	A