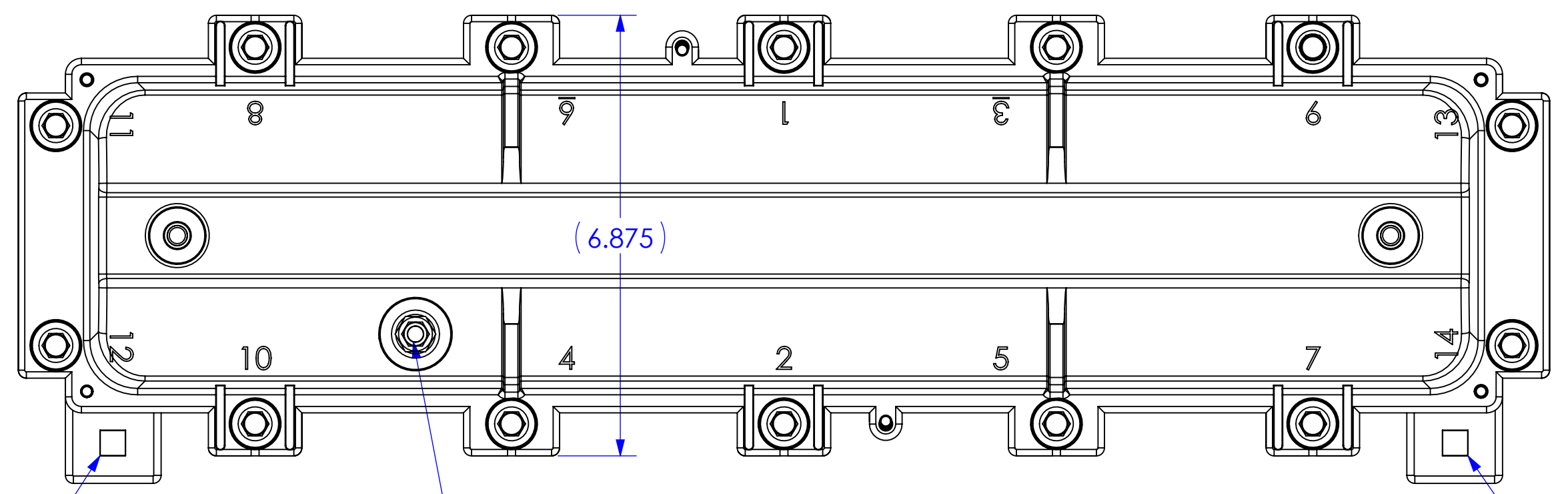


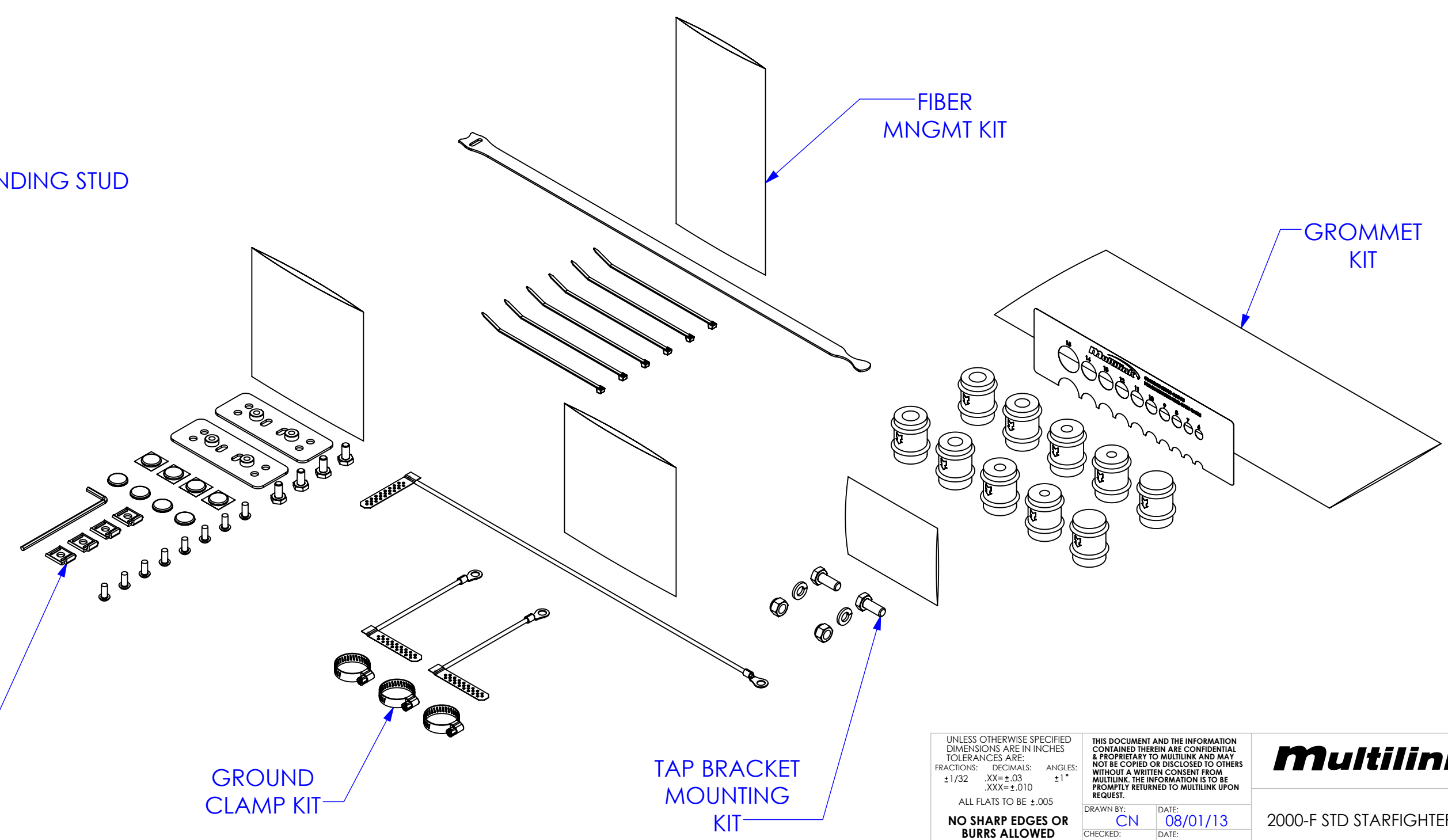
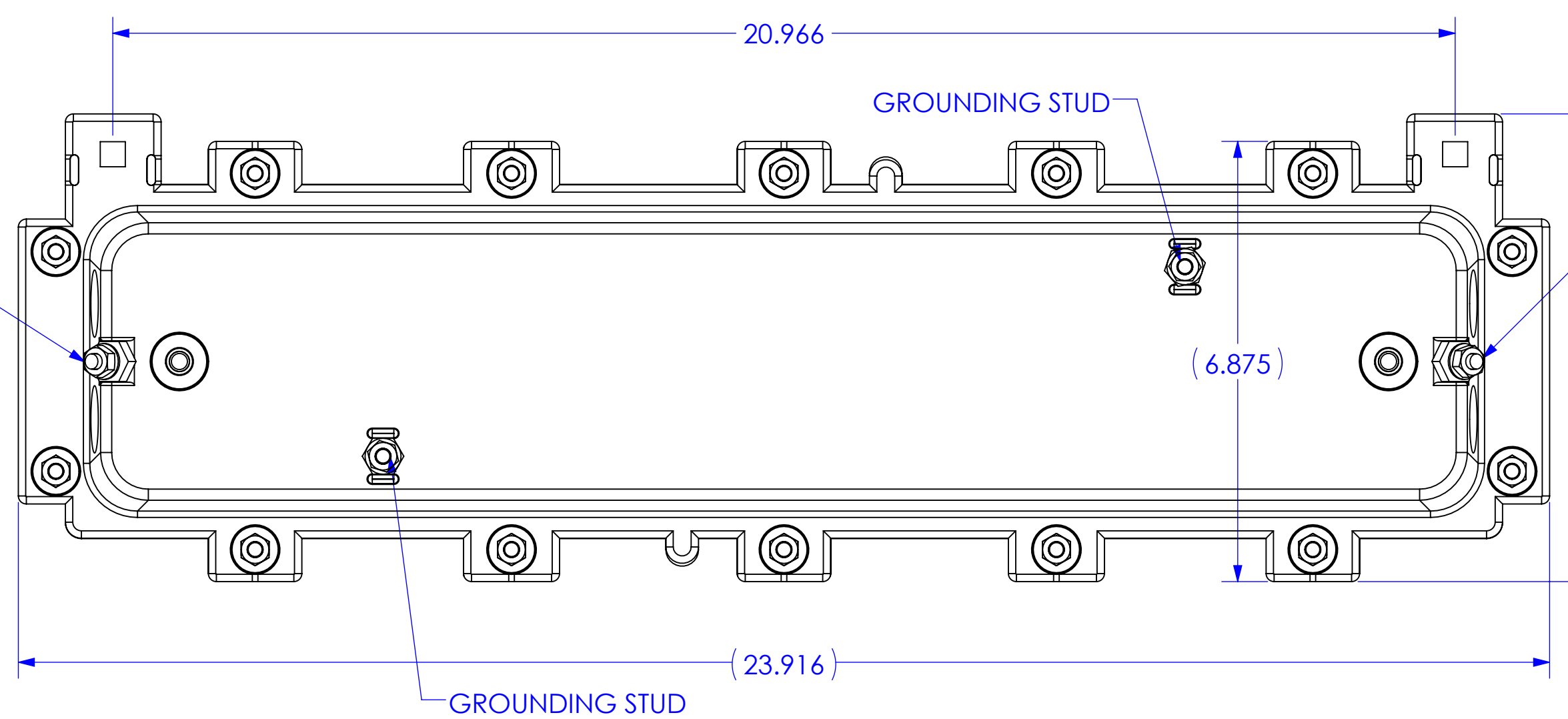
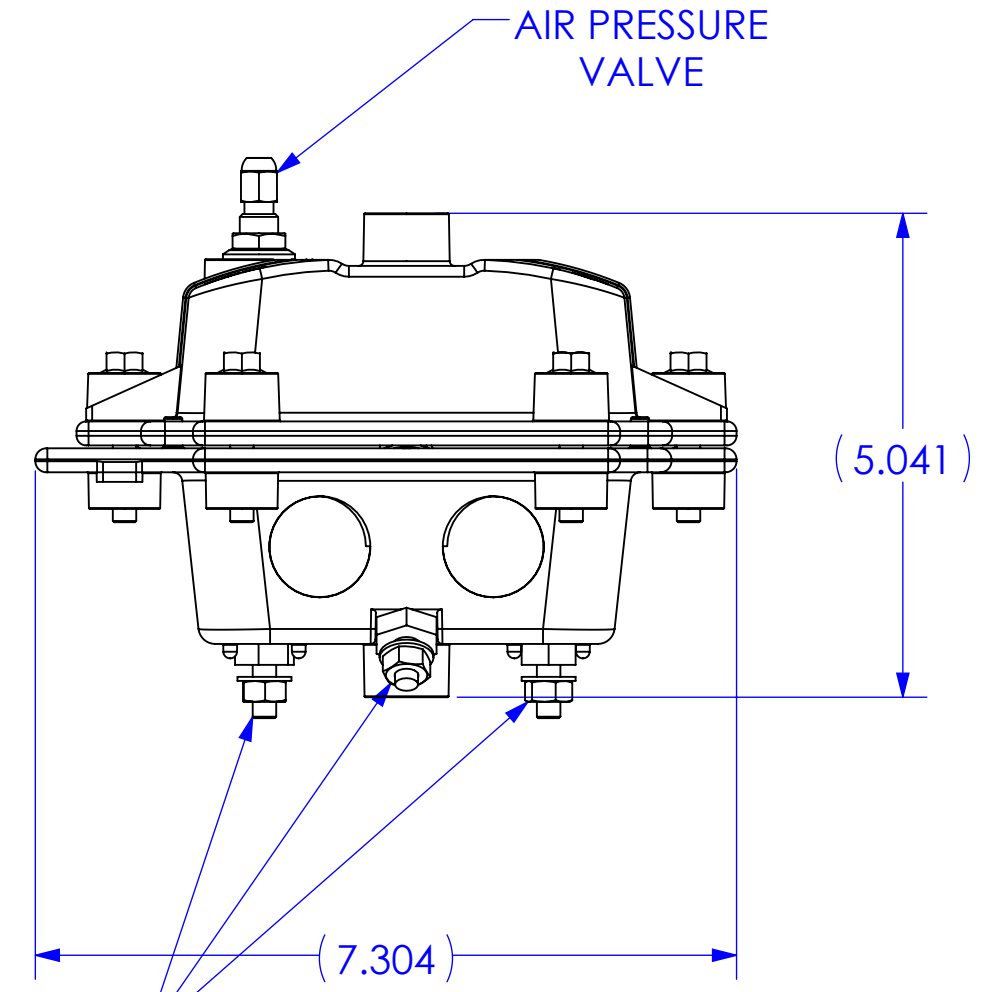
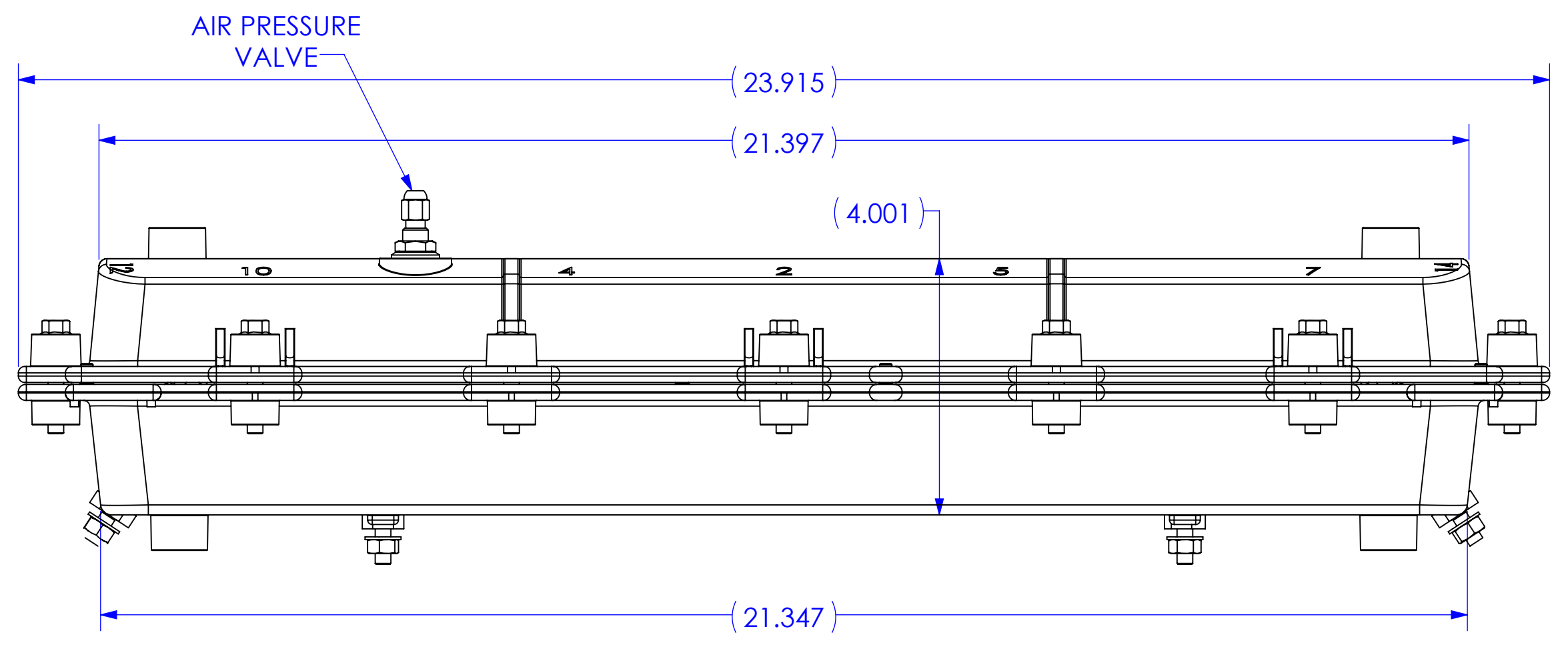
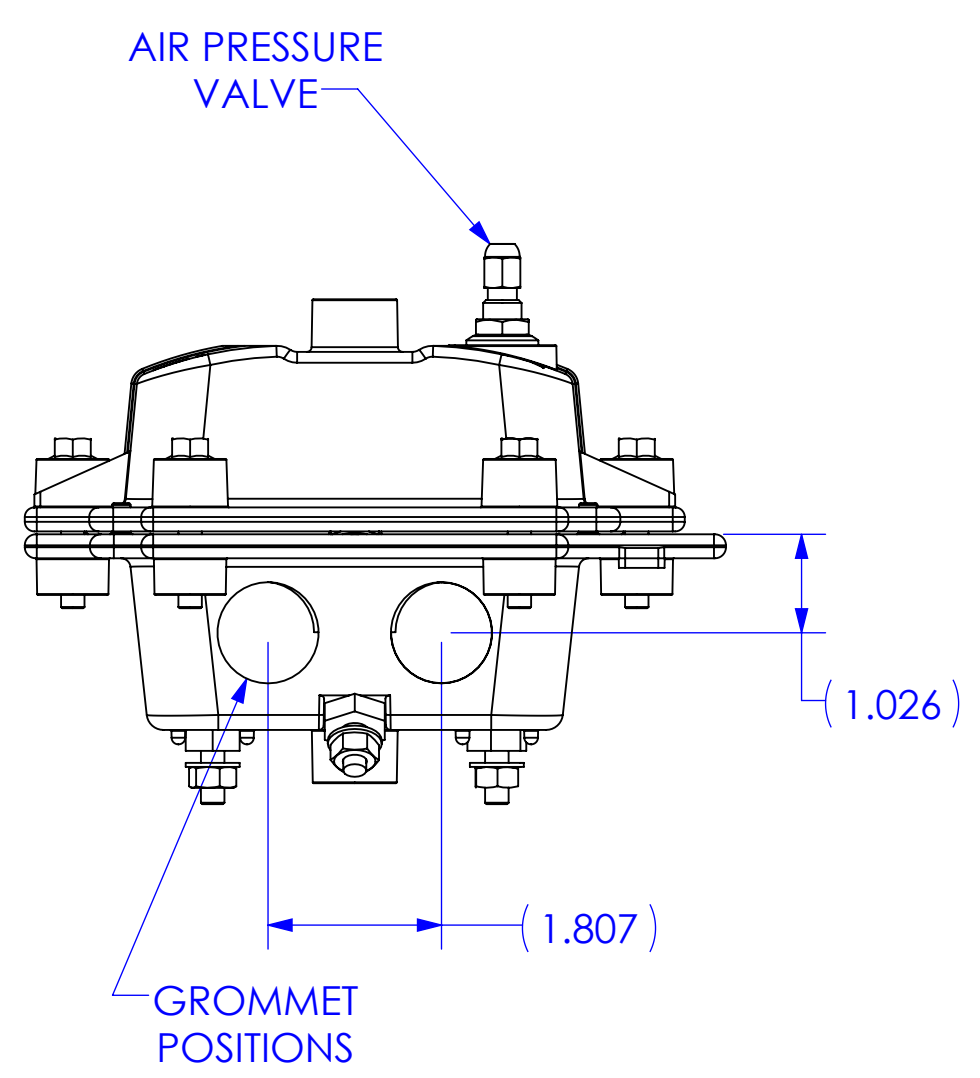
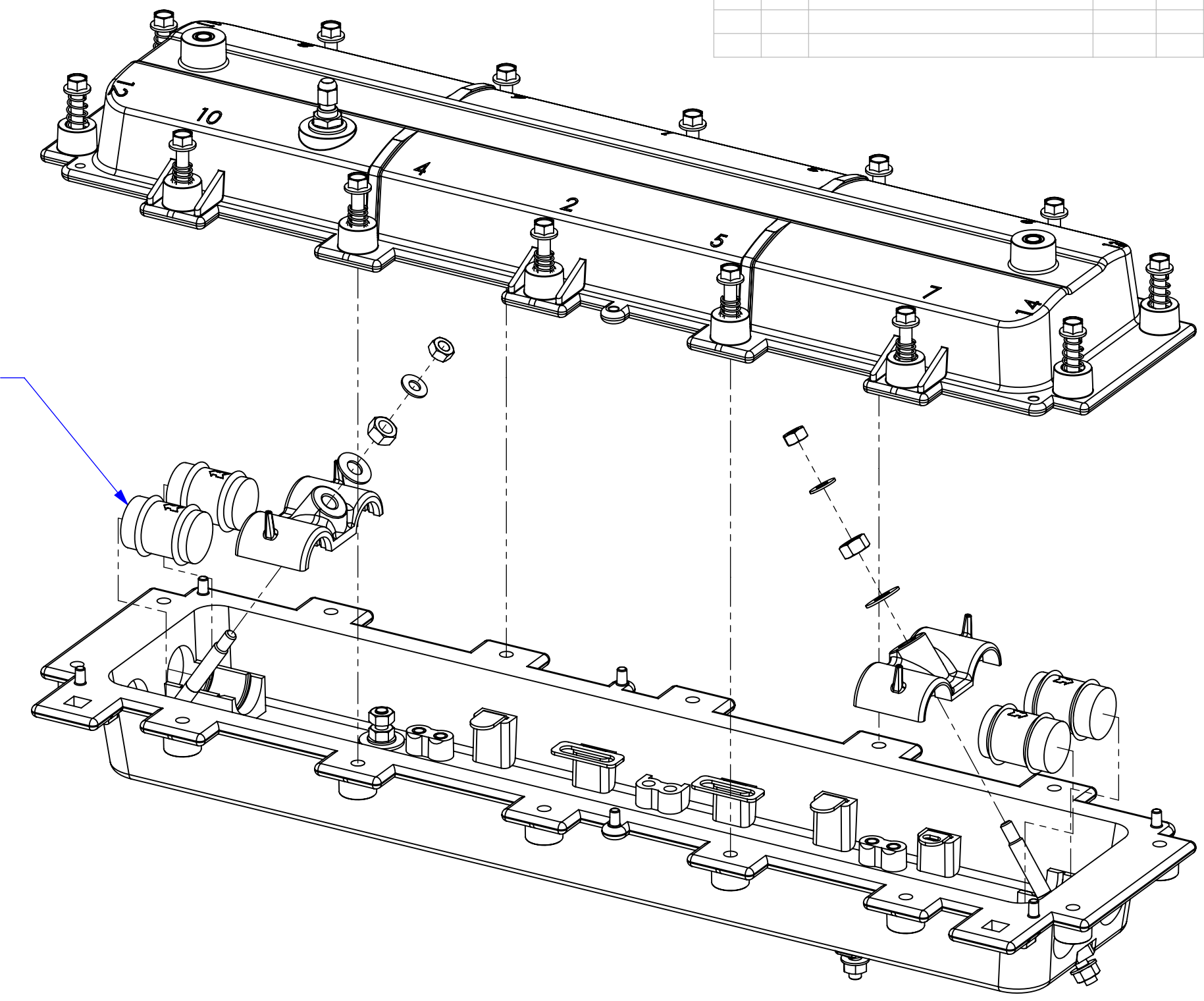
REV.	ECH #	DESCRIPTION OF CHANGE	DATE	BY	MFG ENG
01	N/A	INITIAL RELEASE	08/01/13	CN	



AERIAL HANGER MOUNTING POSITIONS

AIR PRESSURE VALVE

AERIAL HANGER MOUNTING POSITIONS



UNLESS OTHERWISE SPECIFIED DIMENSIONS ARE IN INCHES  
 TOLERANCES ARE:  
 FRACTIONS: DECIMALS: ANGLES:  
 ±1/32 .005 ±.010 XXXX ±.010 51°  
 ALL FLATS TO BE ±.005  
 NO SHARP EDGES OR BURRS ALLOWED  
 MATERIAL: SEE B.O.M.  
 FINISH: N/A  
 DO NOT SCALE DRAWING

THIS DOCUMENT AND THE INFORMATION CONTAINED HEREIN ARE CONFIDENTIAL & PROPRIETARY TO MULTILINK. IT IS NOT TO BE COPIED OR DISCLOSED TO OTHERS WITHOUT THE WRITTEN CONSENT FROM MULTILINK. SEE INFORMATION IS TO BE PROMPTLY RETURNED TO MULTILINK UPON REQUEST.  
 DRAWN BY: CN DATE: 08/01/13  
 CHECKED: CN DATE: 08/01/13  
 MFG ENG: DATE:  
 QUALITY ENG: DATE:  
 DATE: 08/01/13  
 DATE: 08/01/13  
 DATE: 08/01/13



2000-F STD STARFIGHTER KIT